



Price : 138,000 원 (VAT 별도)

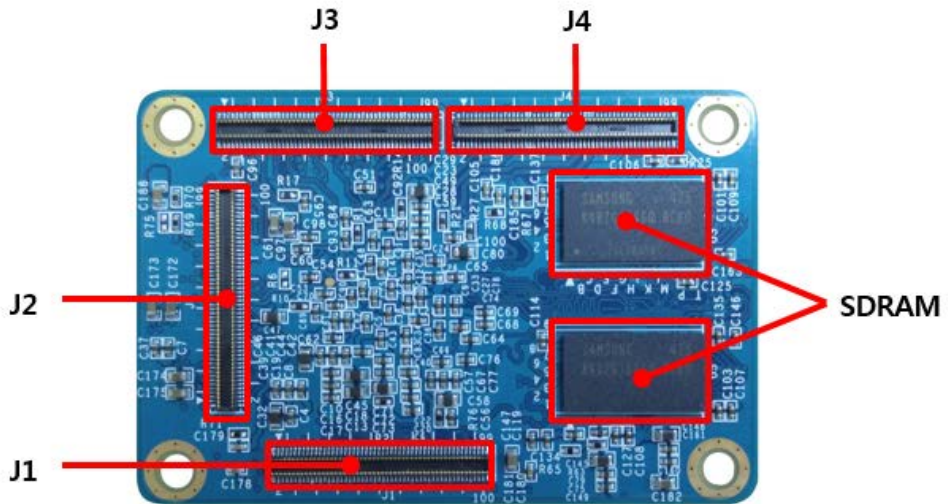
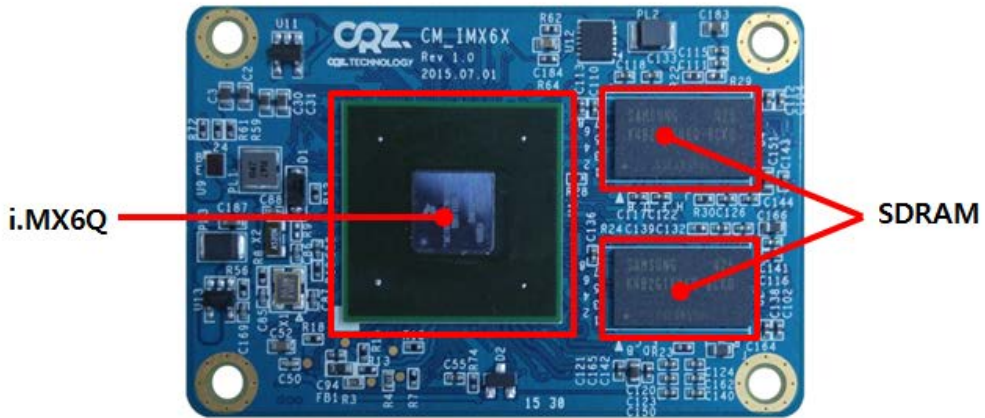
CM-IMX6Q CPU Board Feature

- i.MX 6Quad Processor 1Ghz
- 2GB DDR3 SDRAM
- Expansion Connectors : 100pin * 4EA
- Dimensions : 60mm * 40mm

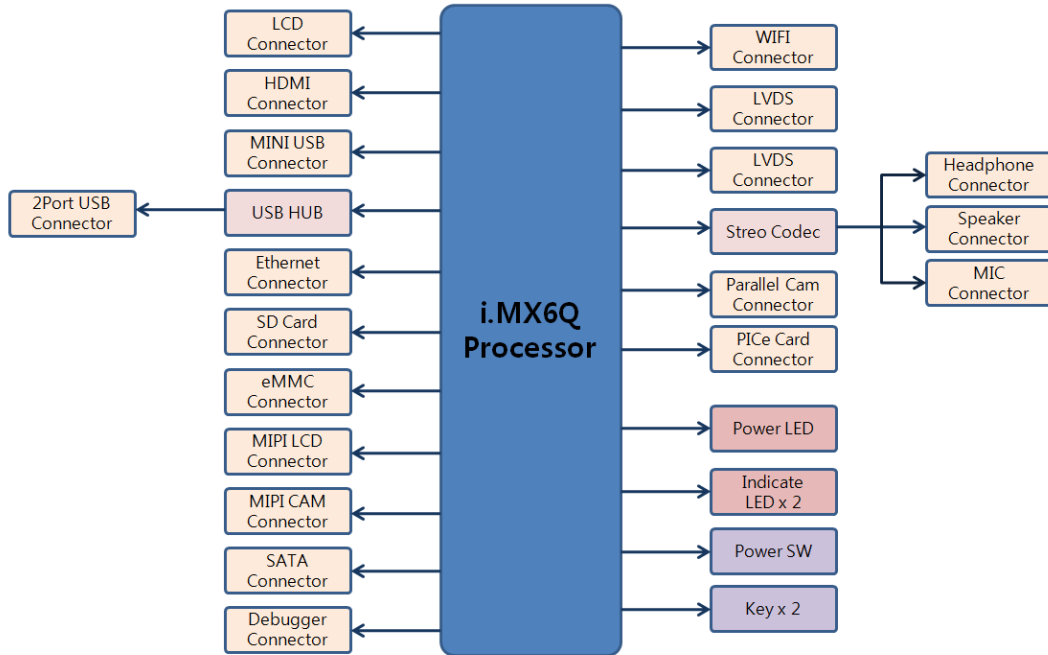
Shipping Materials

- CM-IMX6Q CPU Board : 1ea

부품 배치도



Block Diagram



PIN MAP

J1 Pin Map			
Pin Name	NO	NO	Pin Name
EIM_A16	1	2	EIM_DA0
EIM_A17	3	4	EIM_DA1
EIM_A18	5	6	EIM_DA2
EIM_A19	7	8	EIM_DA3
EIM_A20	9	10	EIM_DA4
EIM_A21	11	12	EIM_DA5
EIM_A22	13	14	EIM_DA6
EIM_A23	15	16	EIM_DA7
EIM_A24	17	18	GND
EIM_A25	19	20	EIM_DA8
GND	21	22	EIM_DA9
EIM_D16	23	24	EIM_DA10
EIM_D17	25	26	EIM_DA11
EIM_D18	27	28	EIM_DA12
EIM_D19	29	30	EIM_DA13
EIM_D20	31	32	EIM_DA14
EIM_D21	33	34	EIM_DA15
EIM_D22	35	36	GND
EIM_D23	37	38	DIO_DISP_CLK
GND	39	40	DIO_PIN2
EIM_D24	41	42	DIO_PIN3
EIM_D25	43	44	DIO_PIN4
EIM_D26	45	46	DIO_PIN15
EIM_D27	47	48	GND
EIM_D28	49	50	DISPO_DAT0
EIM_D29	51	52	DISPO_DAT1
EIM_D30	53	54	DISPO_DAT2
EIM_D31	55	56	DISPO_DAT3
EIM_LBA	57	58	DISPO_DAT4
EIM_OE	59	60	DISPO_DAT5
EIM_RW	61	62	DISPO_DAT6
EIM_CS0	63	64	DISPO_DAT7
EIM_CS1	65	66	GND
EIM_EB2	67	68	DISPO_DAT8
EIM_EB3	69	70	DISPO_DAT9
EIM_BCLK	71	72	DISPO_DAT10
EIM_WAIT	73	74	DISPO_DAT11
EIM_EB0	75	76	DISPO_DAT12
EIM_EB1	77	78	DISPO_DAT13
GND	79	80	DISPO_DAT14
ENET_MDC	81	82	DISPO_DAT15
ENET_MDIO	83	84	GND
ENET_CRS_DV	85	86	DISPO_DAT16
ENET_REF_CLK	87	88	DISPO_DAT17
ENET_RX_ER	89	90	DISPO_DAT18
ENET_TX_EN	91	92	DISPO_DAT19
ENET_RXD0	93	94	DISPO_DAT20
ENET_RXD1	95	96	DISPO_DAT21
ENET_TXD0	97	98	DISPO_DAT22
ENET_TXD1	99	100	DISPO_DAT23

J2 Pin Map			
Pin Name	NO	NO	Pin Name
GND	1	2	SD1_CMD
RGMIIL_TXCLK	3	4	SD1_CLK
RGMIIL_TXD0	5	6	SD1_DAT0
RGMIIL_TXD1	7	8	SD1_DAT1
RGMIIL_TXD2	9	10	SD1_DAT2
RGMIIL_TXD3	11	12	SD1_DAT3
RGMIIL_TX_CTL	13	14	GND
GND	15	16	SD2_CMD
RGMIIL_RXCLK	17	18	SD2_CLK
RGMIIL_RXD0	19	20	SD2_DAT0
RGMIIL_RXD1	21	22	SD2_DAT1
RGMIIL_RXD2	23	24	SD2_DAT2
RGMIIL_RXD3	25	26	SD2_DAT3
RGMIIL_RX_CTL	27	28	GND
GND	29	30	SD4_CMD
NANDF_CS0	31	32	SD4_CLK
NANDF_CS1	33	34	SD4_DAT0
NANDF_CS2	35	36	SD4_DAT1
NANDF_CS3	37	38	SD4_DAT2
GND	39	40	SD4_DAT3
NANDF_ALE	41	42	SD4_DAT4
NANDF_CLE	43	44	SD4_DAT5
NANDF_WP_N	45	46	SD4_DAT6
NANDF_RB0	47	48	SD4_DAT7
GND	49	50	GND
NANDF_D0	51	52	SATA_TXP
NANDF_D1	53	54	SATA_TXM
NANDF_D2	55	56	GND
NANDF_D3	57	58	SATA_RXM
NANDF_D4	59	60	SATA_RXP
NANDF_D5	61	62	GND
NANDF_D6	63	64	GND
NANDF_D7	65	66	SD3_CMD
GND	67	68	SD3_CLK
IMX6_ONOFF	69	70	SD3_DAT0
GND	71	72	SD3_DAT1
TAMPER	73	74	SD3_DAT2
GND	75	76	SD3_DAT3
BOOT_MODE0	77	78	SD3_DAT4
BOOT_MODE1	79	80	SD3_DAT5
GND	81	82	SD3_DAT6
POR_B	83	84	SD3_DAT7
GND	85	86	SD3_RST
VDD_SNVS_IN	87	88	NVCC_SD3
GND	89	90	GND
GND	91	92	GND
USB_OTG_DN	93	94	USB_H1_VBUS
USB_OTG_DP	95	96	USB_HOST_DP
USB_OTG_VBUS	97	98	USB_HOST_DN
GND	99	100	GND

J3 Pin Map			
Pin Name	NO	NO	Pin Name
VDD_5V	1	2	PCIE_TXM
VDD_5V	3	4	PCIE_TXP
VDD_5V	5	6	GND
VDD_5V	7	8	PCIE_RXM
VDD_5V	9	10	PCIE_RXP
VDD_5V	11	12	GND
N.C	13	14	CLK1_P
GND	15	16	CLK1_N
GND	17	18	GND
GND	19	20	CLK2_P
GND	21	22	CLK2_N
GND	23	24	GND
GND	25	26	CSL_D0M
GND	27	28	CSL_D0P
N.C	29	30	GND
N.C	31	32	CSL_CLK0M
N.C	33	34	CSL_CLK0P
IO_PWR_G	35	36	GND
N.C	37	38	CSL_D1M
N.C	39	40	CSL_D1P
N.C	41	42	GND
N.C	43	44	CSL_D2M
N.C	45	46	CSL_D2P
N.C	47	48	GND
GND	49	50	CSL_D3M

Pin Name	NO	NO	Pin Name
CSIO_DAT19	51	52	CSL_D3P
CSIO_DAT18	53	54	GND
CSIO_DAT17	55	56	DSI_CLK0M
CSIO_DAT16	57	58	DSI_CLK0P
CSIO_DAT15	59	60	GND
CSIO_DAT14	61	62	DSI_D0M
CSIO_DAT13	63	64	DSI_D0P
CSIO_DAT12	65	66	GND
GND	67	68	DSI_D1M
CSIO_DAT11	69	70	DSI_D1P
CSIO_DAT10	71	72	GND
CSIO_DAT9	73	74	HDMI_HPD
CSIO_DAT8	75	76	HDMI_CEC
CSIO_DAT7	77	78	GND
CSIO_DAT6	79	80	HDMI_CLKM
CSIO_DAT5	81	82	HDMI_CLKP
CSIO_DAT4	83	84	GND
GND	85	86	HDMI_D0M
GND	87	88	HDMI_D0P
CSIO_DATA_EN	89	90	GND
CSIO_VSYNCH	91	92	HDMI_D1M
CSIO_PDXCLK	93	94	HDMI_D1P
CSIO_HSYNCH	95	96	GNS
NVCC_CSI	97	98	HDMI_D2M
N.C	99	100	HDMI_D2P

J4 Pin Map			
Pin Name	NO	NO	Pin Name
GND	1	2	GND
GPIO_0	3	4	LVDS0_TX0_N
GPIO_1	5	6	LVDS0_TX0_P
GPIO_2	7	8	GND
GPIO_3	9	10	LVDS0_TX1_N
GPIO_4	11	12	LVDS0_TX1_P
GPIO_5	13	14	GND
GPIO_6	15	16	LVDS0_TX2_N
GPIO_7	17	18	LVDS0_TX2_P
GPIO_8	19	20	GND
GPIO_9	21	22	LVDS0_CLK_N
GPIO_16	23	24	LVDS0_CLK_P
GPIO_17	25	26	GND
GPIO_18	27	28	LVDS0_TX3_N
GPIO_19	29	30	LVDS0_TX3_P
GND	31	32	GND
GND	33	34	GND
KEY_ROW0	35	36	GND
KEY_ROW1	37	38	LVDS1_TX0_N
KEY_ROW2	39	40	LVDS1_TX0_P
KEY_ROW3	41	42	GND
KEY_ROW4	43	44	LVDS1_TX1_N
GND	45	46	LVDS1_TX1_P
GND	47	48	GND
KEY_COL0	49	50	LVDS1_TX2_N

Pin Name	NO	NO	Pin Name
KEY_COL1	51	52	LVDS1_TX2_P
KEY_COL2	53	54	GND
KEY_COL3	55	56	LVDS1_CLK_N
KEY_COL4	57	58	LVDS1_CLK_P
GND	59	60	GND
GND	61	62	LVDS1_TX3_N
GND	63	64	LVDS1_TX3_P
N.C	65	66	GND
N.C	67	68	N.C
N.C	69	70	N.C
N.C	71	72	N.C
EXT_ON_REQ	73	74	N.C
N.C	75	76	N.C
N.C	77	78	N.C
N.C	79	80	N.C
N.C	81	82	N.C
N.C	83	84	N.C
N.C	85	86	N.C
N.C	87	88	N.C
N.C	89	90	N.C
N.C	91	92	N.C
N.C	93	94	N.C
N.C	95	96	N.C
N.C	97	98	N.C
N.C	99	100	N.C

help@crz-tech.com (031-701-5057)